

## KDS LED 4' Strip

1- or 2-Row LED Configuration



KDS LED Strip with Lens (Shown)

### General Description

An all purpose one- or two-row LED economy 4' strip fixture kit, suitable for a wide range of applications

All fixture parts snap together for easy installation and maintenance. Side knockouts are included for a convenience outlet, pull switch and conduit.

### Features and Benefits

- High light transmission offered through smooth and linear profile extruded Lumieo® lenses with pixilation hiding properties
- Decorative baffle with Lumieo® overlay lens provides contemporary look
- Linear arrayed LED modules provide diffuse, but effective illumination
- Modern look through lens or baffle option
- Yoke and Toggle Kit suspension option available
- LED light engine (optional) by **LG Innotek**

### Application

Suitable for commercial, light industrial and institutional applications such as offices, hospitals, schools and retail. Intended for surface or suspended mounting.

### Housing

Heavy gauge cold rolled steel

### Cover

Snap-on type to simplify installation

### Ends

Metal end plates

### Lens (Option)

Profile Lumieo® extruded linear lens with pixilation hiding properties and high transmission

### Baffle (Option)

Steel modern look with optional Lumieo® overlay lens

### Finish

Pre-painted white polyester polymer with minimum 82% reflectivity

### Mounting

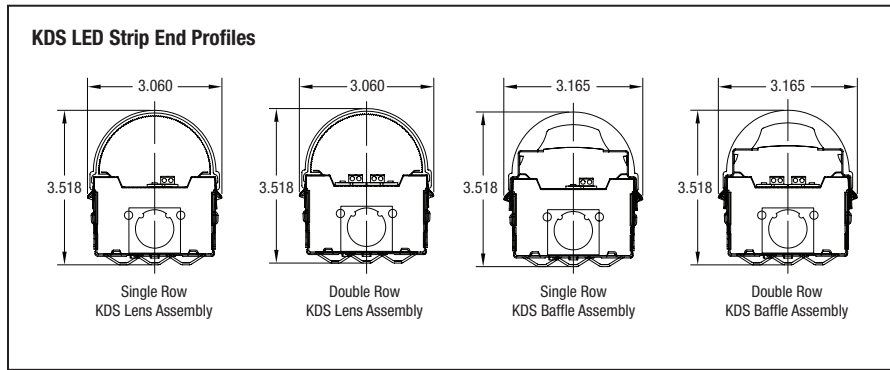
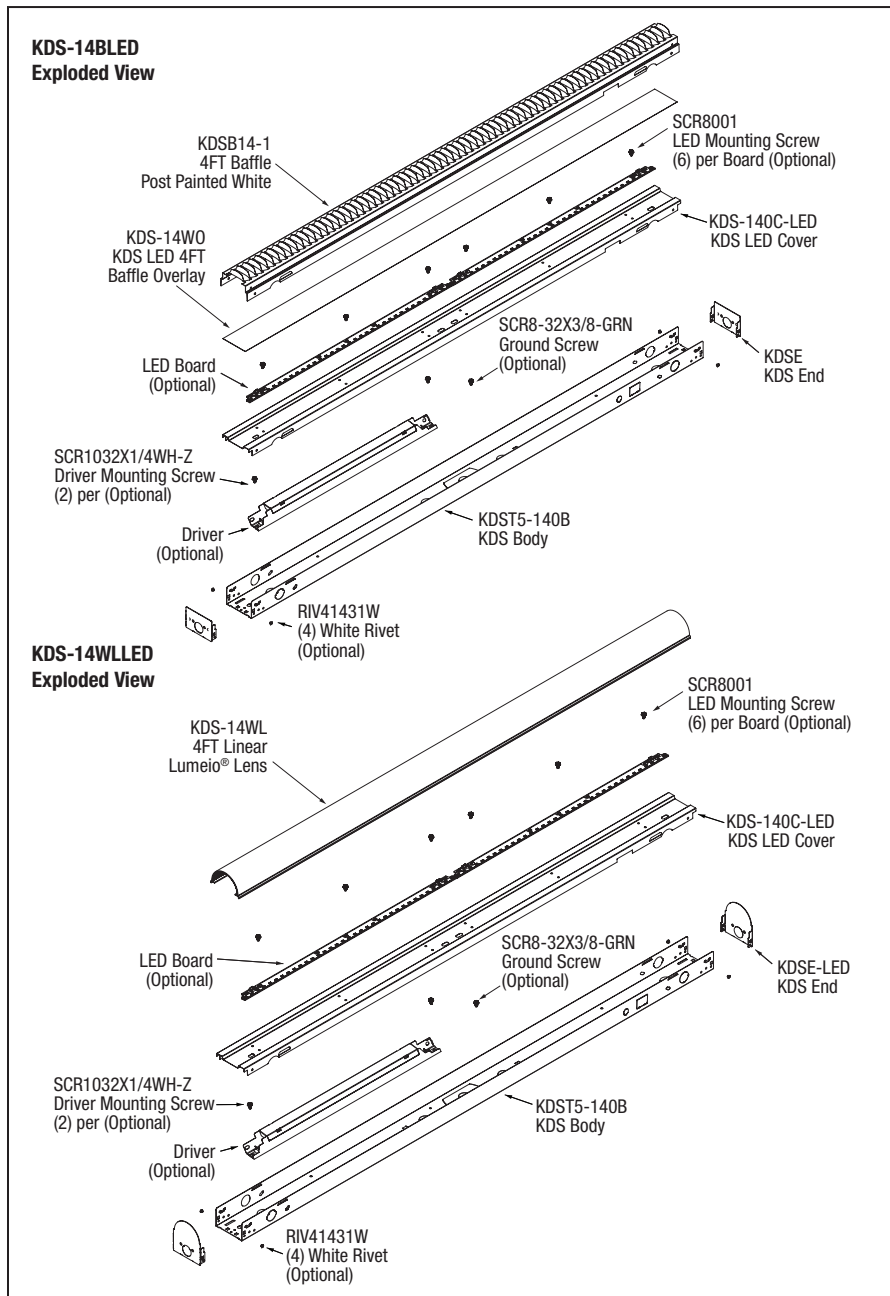
Surface or pendant mount, individually or in continuous rows. Sufficient knockouts are provided

### Light Source

High performance packages of boards and drivers from **LG Innotek**

For the most current listing of DLC Qualified Products, please visit the DLC website [www.designlights.org](http://www.designlights.org)





4' KDS Metal Component Kits		
Kit Number	Component	Qty
<b>KDS-14BLED</b>		
KDST5-140B	KDS Body	1
KDSE	KDS End	2
KDS-140C-LED	KDS 140 LED Cover	1
KDSB14-1	KDS 4FT Baffle White	1
KDS-14WO	KDS 4FT S82 Overlay	1
<b>KDS-14WLED</b>		
KDST5-140B	KDS Body	1
KDSE-LED	KDS End	2
KDS-140C-LED	KDS 140 LED Cover	1
KDS-14WL	KDS 4FT Linear Lumieo® Lens	1

Optional Hanging Components		
Part Number	Components Description	Qty
<b>Canopy Kits (gripper included)</b>		
CKP-1420SE	Side exit 1/4-20 UNC with kep nut	1
CKNP-1420SE	Side exit 1/4-20 UNC with kep nut	1

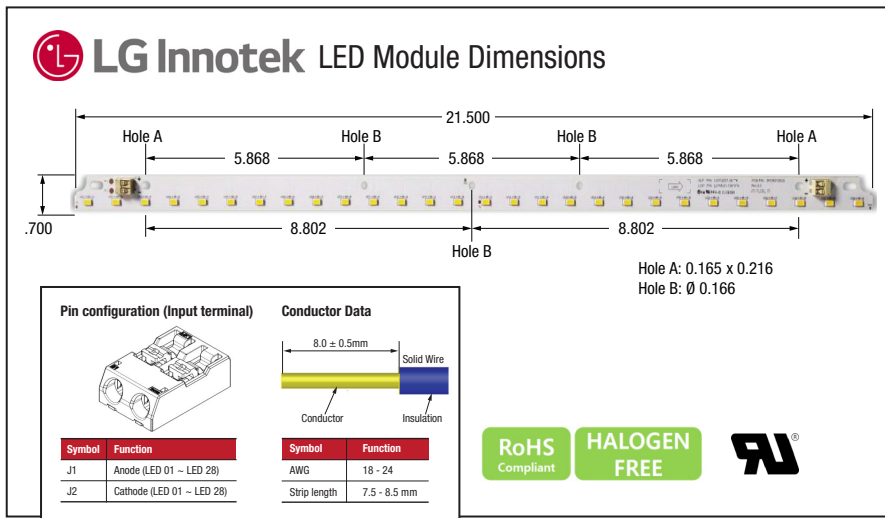
Optional Suspension Kits		
Part Number	Description	Qty
4011003-KDS-10	Yoke and Toggle Kit	2

**Note**  
Kits are available assembled and unassembled. Please contact customer service for more information.

Please contact A.L.P. for pricing and delivery.

All specifications subject to change without notice. A.L.P. Lighting Components, Inc. assumes no responsibility for these materials in any luminaire or application.

The product is an OEM component kit requiring final assembly by a qualified OEM fixture manufacturer.



LED Modules		
Part Number	Color Temp	CRI
LGITLED1-28-35K	3500K	>80
LGITLED1-28-40K	4000K	>80
LGITLED1-28-50K	5000K	>80
LED Drivers		
Part Number	Dim Method	Output [W]
LGITDRV37WC201R	1-10V	37
LGITDRV48WX048A	1-10V	48

**Note:** Board and driver packages cannot be combined. Previously purchased LG drivers are compatible only with the corresponding boards. Currently offered drivers are only compatible with the corresponding modules.

### DLC QPL LED FIXTURE KIT ORDERING

LED Modules and Drivers from LG Innotek				
Lumieo® Lens Series	A.L.P. LED Board Part Number	Qty	A.L.P. Driver Part Number	Qty
KDS14-3735LW-1	LGITLED1-28-35K	2	LGITDRV37WC201R	1
KDS14-3740LW-1	LGITLED1-28-40K	2	LGITDRV37WC201R	1
KDS14-3750LW-1	LGITLED1-28-50K	2	LGITDRV37WC201R	1
KDS14-4835LW-1	LGITLED1-28-35K	4	LGITDRV48WX048A	1
KDS14-4840LW-1	LGITLED1-28-40K	4	LGITDRV48WX048A	1
KDS14-4850LW-1	LGITLED1-28-50K	4	LGITDRV48WX048A	1

### LED FIXTURE KIT ORDERING

LED Modules and Drivers from LG Innotek				
Baffle Series	A.L.P. LED Board Part Number	Qty	A.L.P. Driver Part Number	Qty
KDS14-3735BW-1	LGITLED1-28-35K	2	LGITDRV37WC201R	1
KDS14-3740BW-1	LGITLED1-28-40K	2	LGITDRV37WC201R	1
KDS14-3750BW-1	LGITLED1-28-50K	2	LGITDRV37WC201R	1
KDS14-4835BW-1	LGITLED1-28-35K	4	LGITDRV48WX048A	1
KDS14-4840BW-1	LGITLED1-28-40K	4	LGITDRV48WX048A	1
KDS14-4850BW-1	LGITLED1-28-50K	4	LGITDRV48WX048A	1

### LED Light Source and Luminaire Specifications

LED Fixture Kit	KDS LED 4' Strip Lens 1 Row			KDS LED 4' Strip Lens 2 Rows		
	KDS14-3735LW-1	KDS14-3740LW-1	KDS14-3750LW-1	KDS14-4835LW-1	KDS14-4840LW-1	KDS14-4850LW-1
Input Wattage*	28.2	28.1 †	28.1	47.4	47.2 †	47
Delivered Lumens (lms)*	2990	3010 †	3050	5040	5103 †	5229
Efficacy (LpW)*	106	107 †	109	106	108 †	111
Color Rendering Index (CRI)*	80	80	80	80	80	80
Color Temperature (CCT) k	3500	4000	5000	3500	4000	5000
Minimum Ambient Temp (°F)	-4F	-4F	-4F	-4F	-4F	-4F
Maximum Ambient Temp (°F)	140F	140F	140F	140F	140F	140F
Dimming	0-10V	0-10V	0-10V	0-10V	0-10V	0-10V
THD	<20	<20	<20	<20	<20	<20
Rated Life (L70)	50,000 hrs	50,000 hrs	50,000 hrs	50,000 hrs	50,000 hrs	50,000 hrs
Warranty	5 Years	5 Years	5 Years	5 Years	5 Years	5 Years
Voltage (V)	120-277V	120-277V	120-277V	120-277V	120-277V	120-277V
Operating Frequency (Hz)	50/60	50/60	50/60	50/60	50/60	50/60
UL	Yes	Yes	Yes	Yes	Yes	Yes
DLC	Yes	Yes	Yes	Yes	Yes	Yes
FCC	Compliant	Compliant	Compliant	Compliant	Compliant	Compliant

LED Fixture Kit	KDS LED 4' Strip Baffle 1 Row			KDS LED 4' Strip Baffle 2 Rows		
	KDS14-3735BW-1	KDS14-3740BW-1	KDS14-3750BW-1	KDS14-4835BW-1	KDS14-4840BW-1	KDS14-4850BW-1
Input Wattage*	29.4	29.4 †	29.4 †	49.6	49.6 †	49.6 †
Delivered Lumens (lms)*	2528	2543 †	2578 †	3965	4018 †	4110 †
Efficacy (LpW)*	86	86 †	88 †	80	81 †	83 †
Color Rendering Index (CRI)*	80	80	80	80	80	80
Color Temperature (CCT) k	3500	4000	5000	3500	4000	5000
Minimum Ambient Temp (°F)	-4F	-4F	-4F	-4F	-4F	-4F
Maximum Ambient Temp (°F)	140F	140F	140F	140F	140F	140F
Dimming	0-10V	0-10V	0-10V	0-10V	0-10V	0-10V
THD	<20	<20	<20	<20	<20	<20
Rated Life (L70)	50,000 hrs	50,000 hrs	50,000 hrs	50,000 hrs	50,000 hrs	50,000 hrs
Warranty	5 Years	5 Years	5 Years	5 Years	5 Years	5 Years
Voltage (V)	120-277V	120-277V	120-277V	120-277V	120-277V	120-277V
Operating Frequency (Hz)	50/60	50/60	50/60	50/60	50/60	50/60
UL	Yes	Yes	Yes	Yes	Yes	Yes
DLC	No	No	No	No	No	No
FCC	Compliant	Compliant	Compliant	Compliant	Compliant	Compliant

\*Values taken from LM-79 reports. †Estimated  
For additional options, please contact A.L.P.

#### Notice

A.L.P. Lighting Components, Inc., assumes no responsibility for suitability of these materials in any luminaire or application. Please test for fit and function prior to ordering project quantities.

While A.L.P. utilizes IESNA testing procedures and believes our testing results to be accurate, A.L.P. provides photometry for reference only. Actual results will vary based on the actual light source(s) and power source(s) used, i.e. ballast, driver, generator, etc. and the combinations in which they are used, as well as operating temperatures, and other electrical and environmental variables. We urge that customers perform their own fixture qualifications prior to making performance-based claims. In no event will A.L.P. be liable for any loss or damage, including without limitation, indirect or consequential loss or damage in connection with the use of this information.